

HiFi ENGINE®

For more Hi-Fi manuals and set-up information
please visit www.hifiengine.com



Stereophonic

THE FISHER X-101-C

SERVICE

MANUAL



MODEL X-101-C

CHASSIS SERIAL NUMBERS
FROM 20001 TO 29999 INCLUSIVE

PRICE: \$1.00

FISHER RADIO CORPORATION • NEW YORK



CHASSIS SERIAL NUMBERS
FROM 20001 TO 29999 INCLUSIVE

THE FISHER X-101-C



PARTS DESCRIPTION LIST

CAPACITORS

10 % tolerance for all fixed capacitors, unless otherwise noted or marked GMV (guaranteed minimum value). All capacitors not marked uf are pf (uuf).

| Symbol | Description | Part No. |
|---------|---|-----------|
| C1, 2 | Ceramic, .01uf, 20 %, 500V | C50089-3 |
| C3, 4 | Mylar, .022uf, 400V | C50197-28 |
| C5, 6 | Ceramic, 68, 1000V | C50070-12 |
| C7, 8 | Ceramic, 750, 1000V | C50072-37 |
| C9, 10 | Mylar, .022uf, 400V | C50197-28 |
| C11 | Ceramic, 82, 1000V | C50070-7 |
| C12 | Mylar, .047uf, 400V | C50197-30 |
| C13 | Ceramic, 68, 1000V | C50070-12 |
| C14 | Mylar, .022uf, 250V | C50197-49 |
| C15 | Mylar, .047uf, 400V | C50197-30 |
| C16 | Ceramic, 68, 1000V | C50070-12 |
| C17 | Mylar, .022uf, 250V | C50197-49 |
| C18, 19 | Ceramic, 47, 1000V | C50070-4 |
| C20, 21 | Mylar, .047uf, 400V | C50197-33 |
| C22 | Electrolytic, 100uf, 100V | C663-143 |
| C23, 24 | Mylar, .047uf, 400V | C50197-30 |
| C25 | Electrolytic, 200uf, 250V | C50180-20 |
| C26 | Electrolytic, 2 Section: A— 200uf, 250V B— 40uf, 500V | C50180-19 |
| C27 | Electrolytic, 3 Section: A— 40uf, 450V B— 40uf, 400V C— 20uf, 300V | C50180-18 |
| C28, 29 | Ceramic, 27, 1000V | C50070-10 |
| C30 | Ceramic, 82, 1000V | C50070-7 |
| C31 | Molded, .01uf, 20 %, 600V | C2747 |

RESISTORS AND POTENTIOMETERS

In ohms, 5 % tolerance, 1/3 watt, unless otherwise noted. K=Kilohms, M=Megohms.

| Symbol | Description | Part No. |
|----------|-------------------------------|------------|
| R1 | Dep. Carbon, 220K | R33DC224J |
| R2 | Dep. Carbon, 56K | R33DC563J |
| R3 | Dep. Carbon, 220K | R33DC224J |
| R4, 5, 6 | Dep. Carbon, 56K | R33DC563J |
| R7, 8 | Dep. Carbon, 10K | R33DC103J |
| R9 | Glass, 330K, 1W | R30G334J |
| R10 | Glass, 2.2K, 1W | R30G222J |
| R11 | Dep. Carbon, 100K | R33DC104J |
| R12 | Glass, 330K, 1W | R30G334J |
| R13 | Glass, 2.2K, 1W | R30G222J |
| R14, 15 | Dep. Carbon, 2.2M | R33DC225J |
| R16, 17 | Dep. Carbon, 220K | R33DC224J |
| R18 | Dep. Carbon, 680K | R33DC684J |
| R19 | Dep. Carbon, 100K | R33DC104J |
| R20 | Dep. Carbon, 680K | R33DC684J |
| R21, 22 | Dep. Carbon, 330K | R33DC334J |
| R23, 24 | Composition, 10M, 10 %, 1/2 W | RC20BF106K |
| R25 | Dep. Carbon, 1M | R33DC105J |
| R26 | Dep. Carbon, 2.2M | R33DC225J |
| R27 | Dep. Carbon, 1M | R33DC105J |
| R28 | Dep. Carbon, 2.2M | R33DC225J |
| R29 | Dep. Carbon, 150K | R33DC154J |
| R30 | Dep. Carbon, 1.5K | R33DC152J |
| R31 | Dep. Carbon, 150K | R33DC154J |
| R32 | Dep. Carbon, 1.5K | R33DC152J |
| R33 | Dep. Carbon, 220K | R33DC224J |
| R34 | Dep. Carbon, 470K | R33DC474J |
| R35 | Dep. Carbon, 220K | R33DC224J |

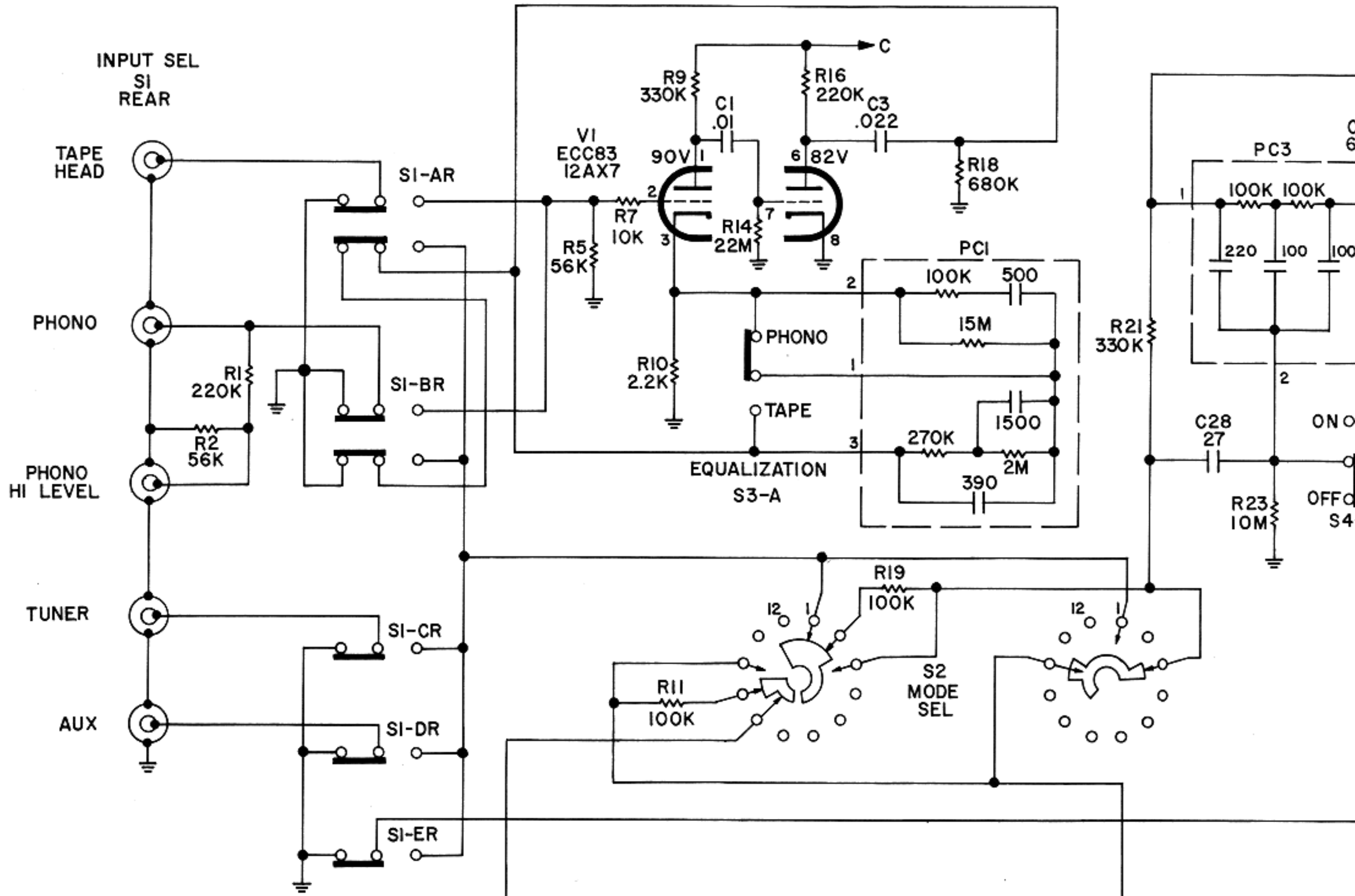
| | | |
|---------|--|------------|
| R36 | Dep. Carbon, 470K | R33DC474J |
| R37 | Potentiometer, Dual, Bass, 500K | R50160-116 |
| R38, 39 | Dep. Carbon, 10K | R33DC103J |
| R40 | Potentiometer, Dual, Treble, 500K | R50160-116 |
| R41 | Dep. Carbon, 82K | R33DC823J |
| R42 | Dep. Carbon, 2.2K | R33DC222J |
| R43 | Dep. Carbon, 82K | R33DC823J |
| R44 | Dep. Carbon, 2.2K | R33DC222J |
| R45, 46 | Dep. Carbon, 22K | R33DC223J |
| R47 | Potentiometer, Volume, 500K | R50160-117 |
| R48 | Potentiometer, Balance, 500K | R50160-115 |
| R51 | Dep. Carbon, 470K | R33DC474J |
| R52 | Dep. Carbon, 1.2K | R33DC122J |
| R53 | Dep. Carbon, 1K | R33DC102J |
| R54 | Dep. Carbon, 220 | R33DC221J |
| R55 | Dep. Carbon, 470K | R33DC474J |
| R56 | Dep. Carbon, 1.2K | R33DC122J |
| R57 | Dep. Carbon, 1K | R33DC102J |
| R58 | Dep. Carbon, 220 | R33DC221J |
| R59 | Potentiometer, 25K, Channel A, AC Bal. | R50103-2 |
| R60 | Dep. Carbon, 39K | R33DC393J |
| R61 | Dep. Carbon, 68K | R33DC683J |
| R62 | Composition, 3.3K, 10 %, 1/2 W | RC20BF332K |
| R63 | Potentiometer, 25K, Channel B, AC Bal. | R50103-2 |
| R64 | Dep. Carbon, 39K | R33DC393J |
| R65 | Dep. Carbon, 68K | R33DC683J |
| R66 | Dep. Carbon, 330K | R33DC334J |
| R67 | Potentiometer, 5K, Bias Adjust | R50103-4 |
| R68 | Glass, 500, 10 %, 7W | RPG7W501K |
| R69 | Dep. Carbon, 330K | R33DC334J |
| R70 | Dep. Carbon, 1K | R33DC102J |
| R71, 72 | Dep. Carbon, 330K | R33DC334J |
| R73 | Dep. Carbon, 1K | R33DC102J |
| R74 | Composition, 820, 10 %, 1/2 W | RC20BF821K |
| R75 | Dep. Carbon, 1K | R33DC102J |
| R76, 77 | Dep. Carbon, 330K | R33DC334J |
| R78 | Dep. Carbon, 1K | R33DC102J |
| R79 | Glass, 2.2K, 10 %, 7W | RPG7W222K |
| R80 | Composition, 2.2K, 10 %, 1W | RC30BF222K |
| R81 | Composition, 2.2K, 10 %, 1/2 W | RC20BF222K |
| R82 | Composition, 100K, 10 %, 1/2 W | RC20BF104K |
| R83, 84 | Glass, 25, 10 %, 5W | RPG5W250K |
| R85, 86 | Composition, 330, 10 %, 1W | RC30BF331K |

MISCELLANEOUS

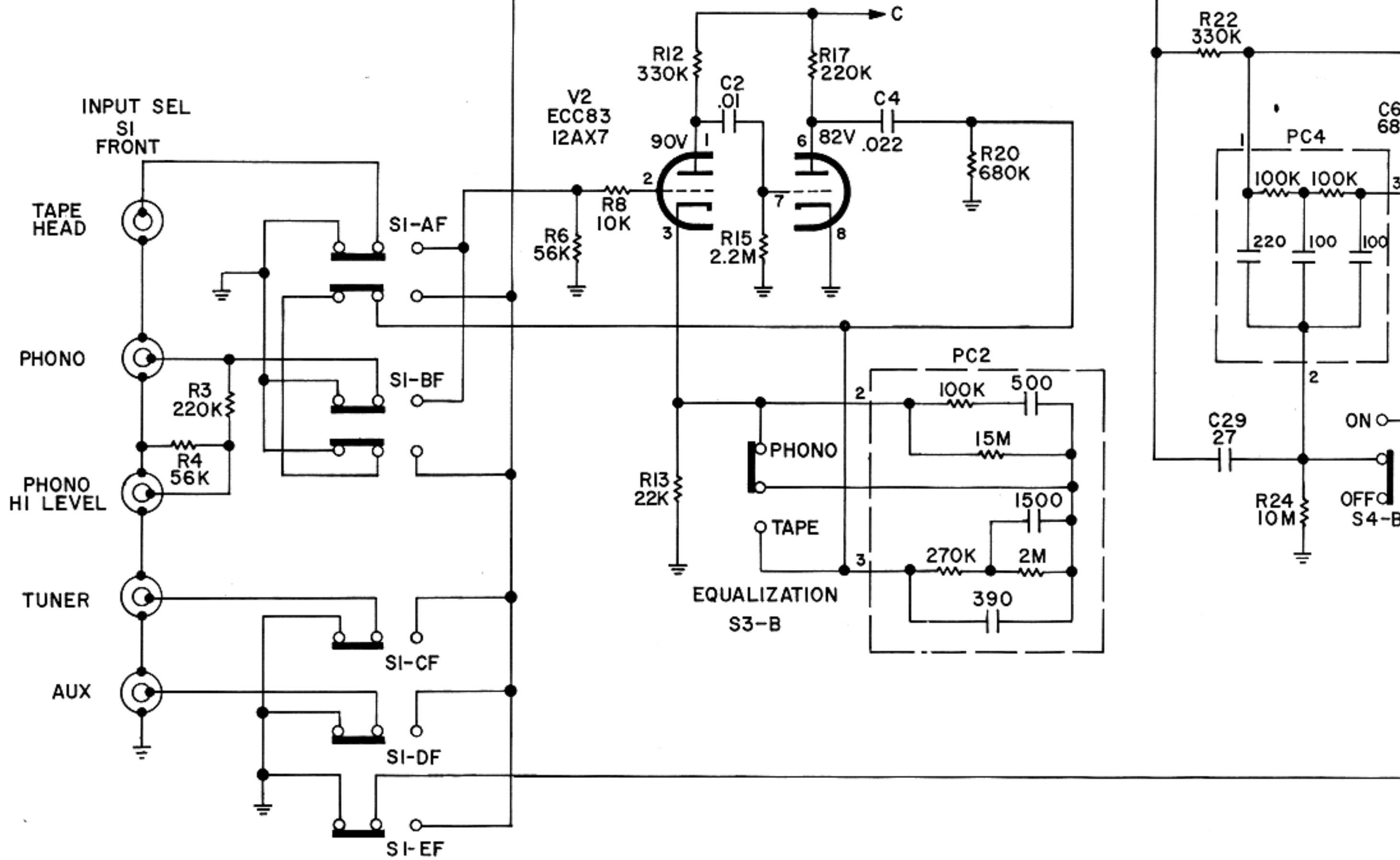
| Symbol | Description | Part No. |
|-------------|--|-------------|
| CR1, 2 | Silicon Rectifier | SR50411-1 |
| F1 | Fuse, 3.2A, Slo-Blo | F3319 |
| I1 | Bulb, #47 | I50009-1 |
| PC1, 2 | Printed Circuit, Phono-Tape Equalization | PC50187-3 |
| PC3, 4 | Printed Circuit, High Filter | PC50187-2 |
| PC5, 6 | Printed Circuit, Tone Control | PC50187-9 |
| S1 | Switch, Pushbutton Selector | S951-133 |
| S2 | Switch, Mode Selector | S951-124 |
| S3, 4, 5, 6 | Switch, Slide | S50200-5 |
| S7 | Switch, Power | Part of R47 |
| S8 | Switch, Output Selector | S951-125 |
| T1 | Transformer, Output, Channel A | T860-116-5 |
| T2 | Transformer, Output, Channel B | T860-116-6 |
| T3 | Transformer, Power | T951-115 |
| — | Dress Panel | AS951-108 |
| — | Door & Hinge Ass'y | AS951-119 |
| — | Knob | E50325-1 |
| — | Knob, Tone Control, Rear | E50221 |
| — | Knob, Tone Control, Front | E50323 |
| — | Knob, Pushbutton | E851-116 |
| — | Jewel, Green | I50162-4 |

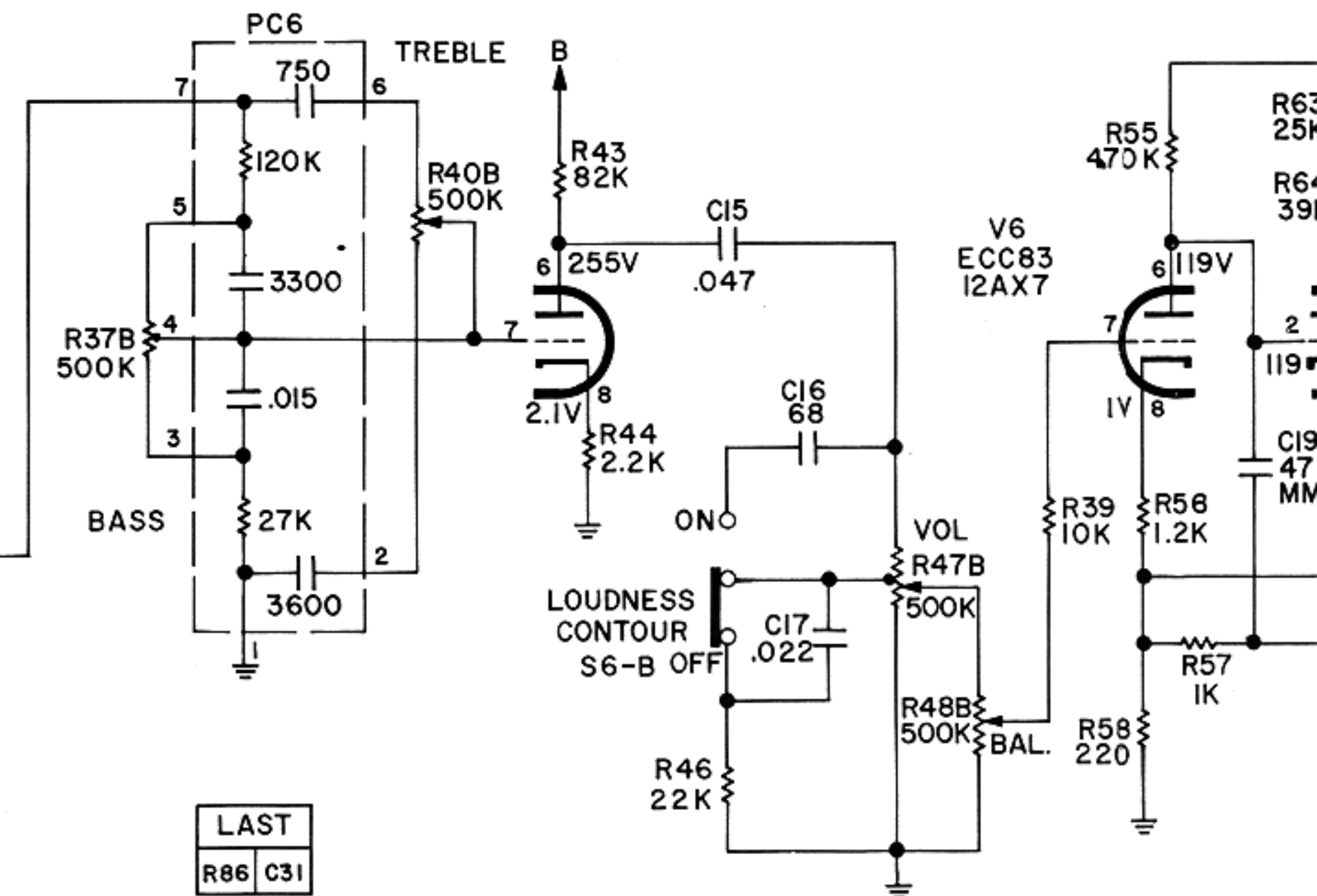
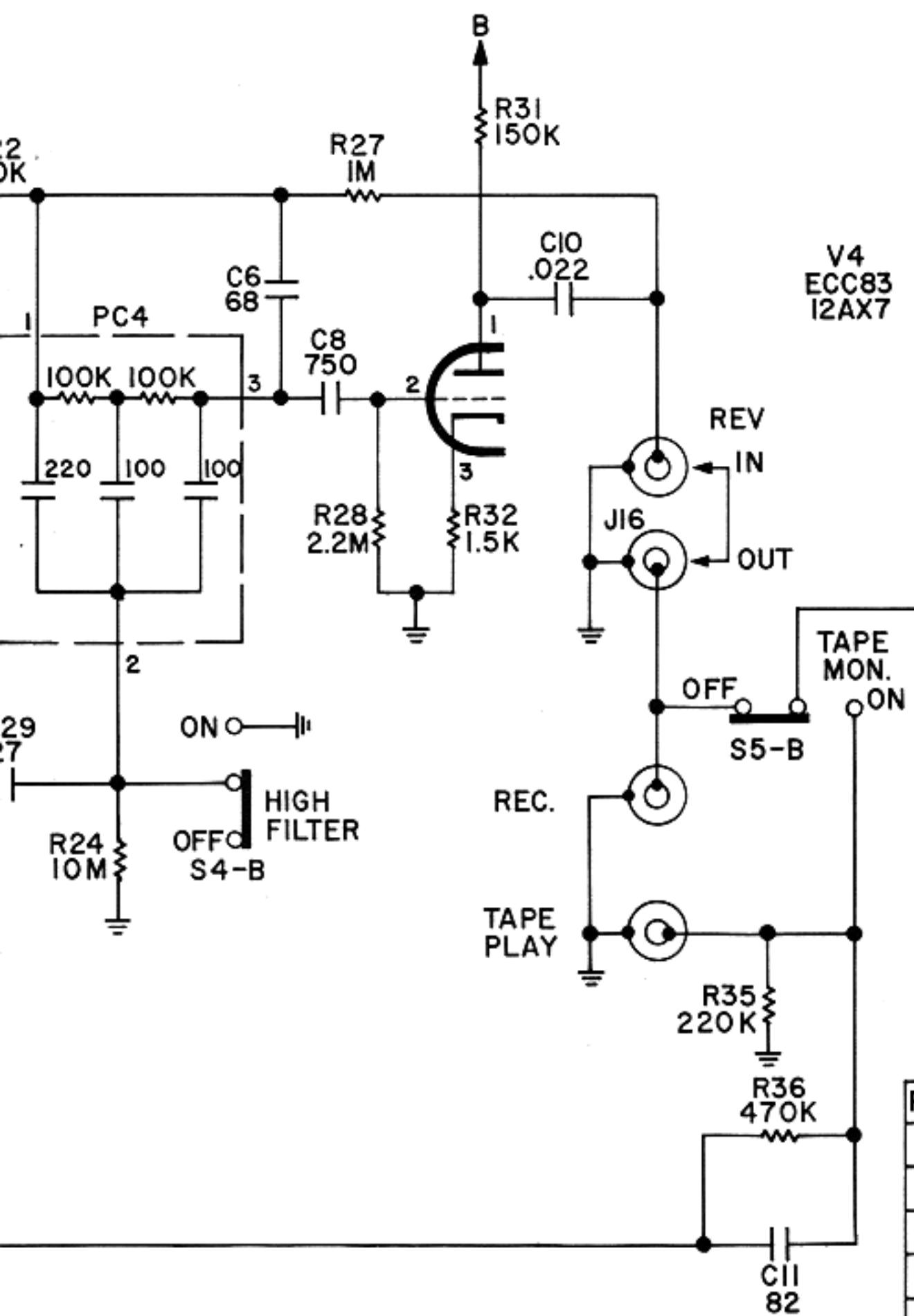
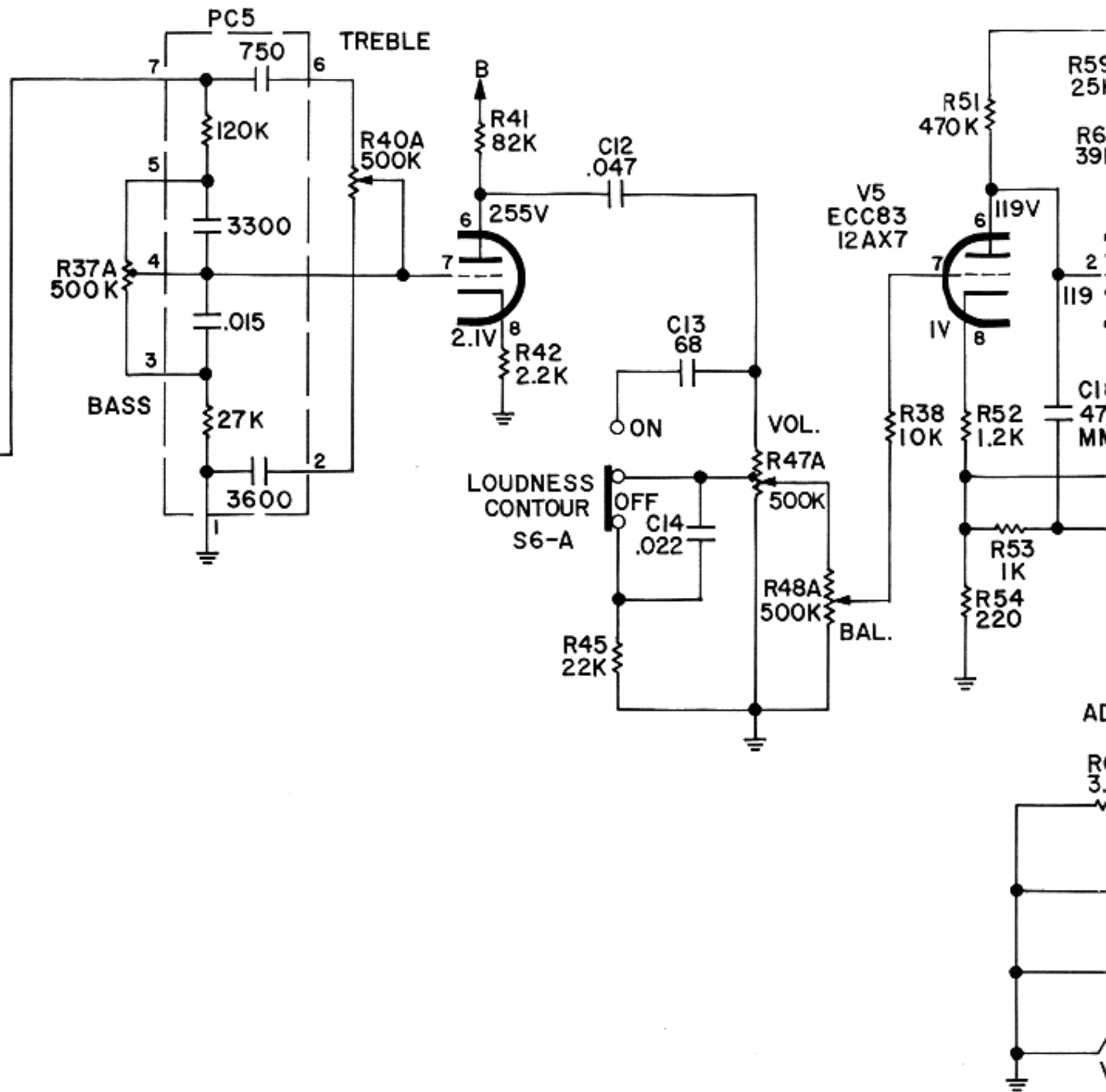
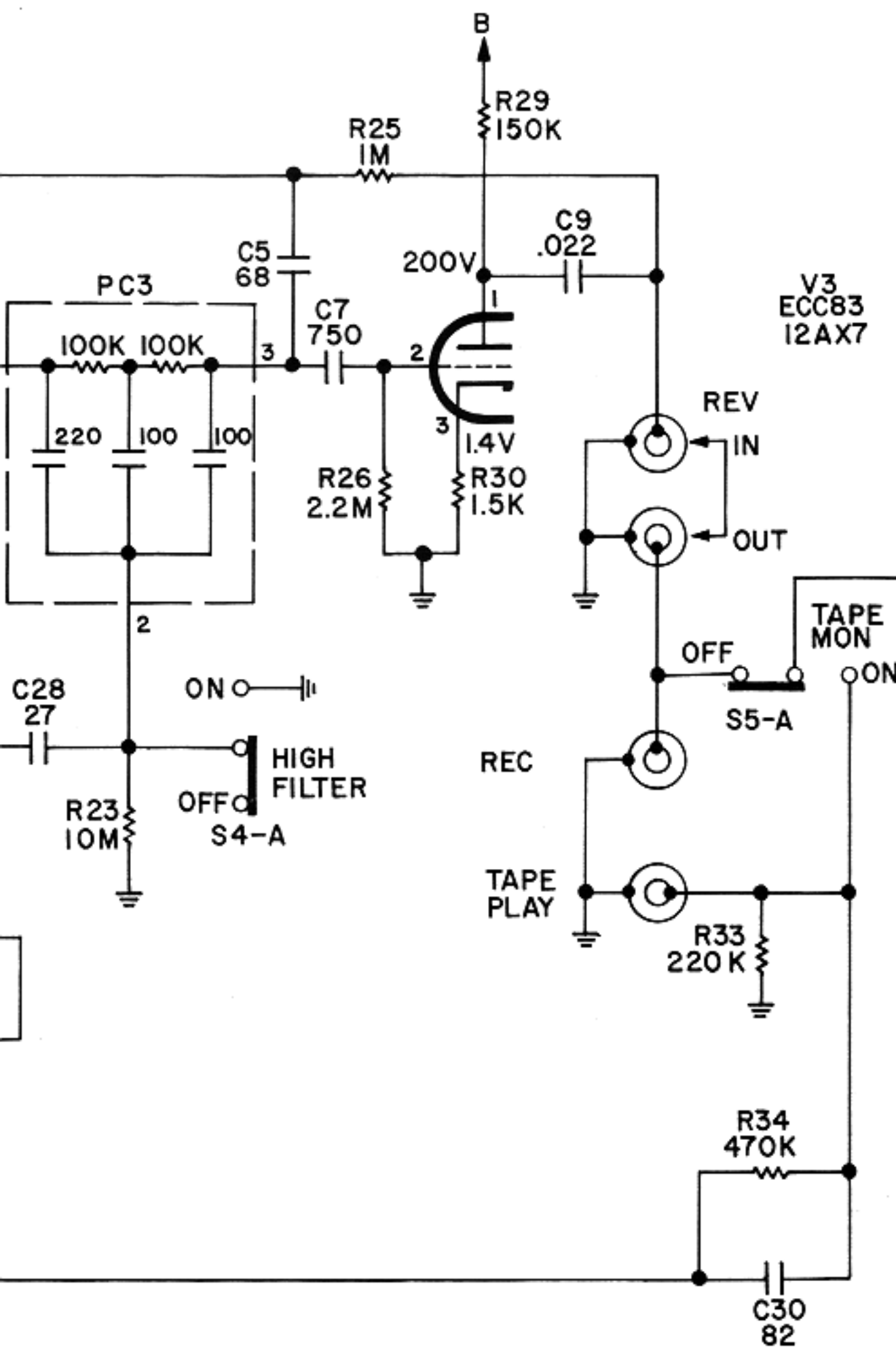
SCHEMATIC DIAGRAM

LEFT INPUT



RIGHT INPUT



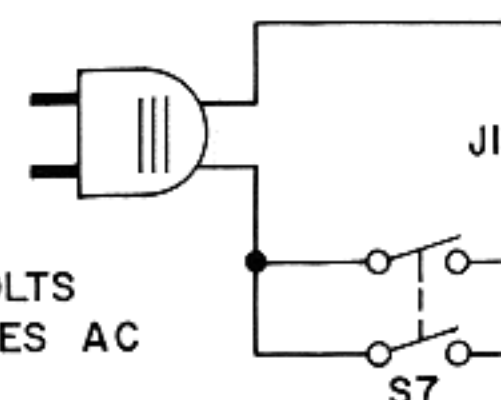


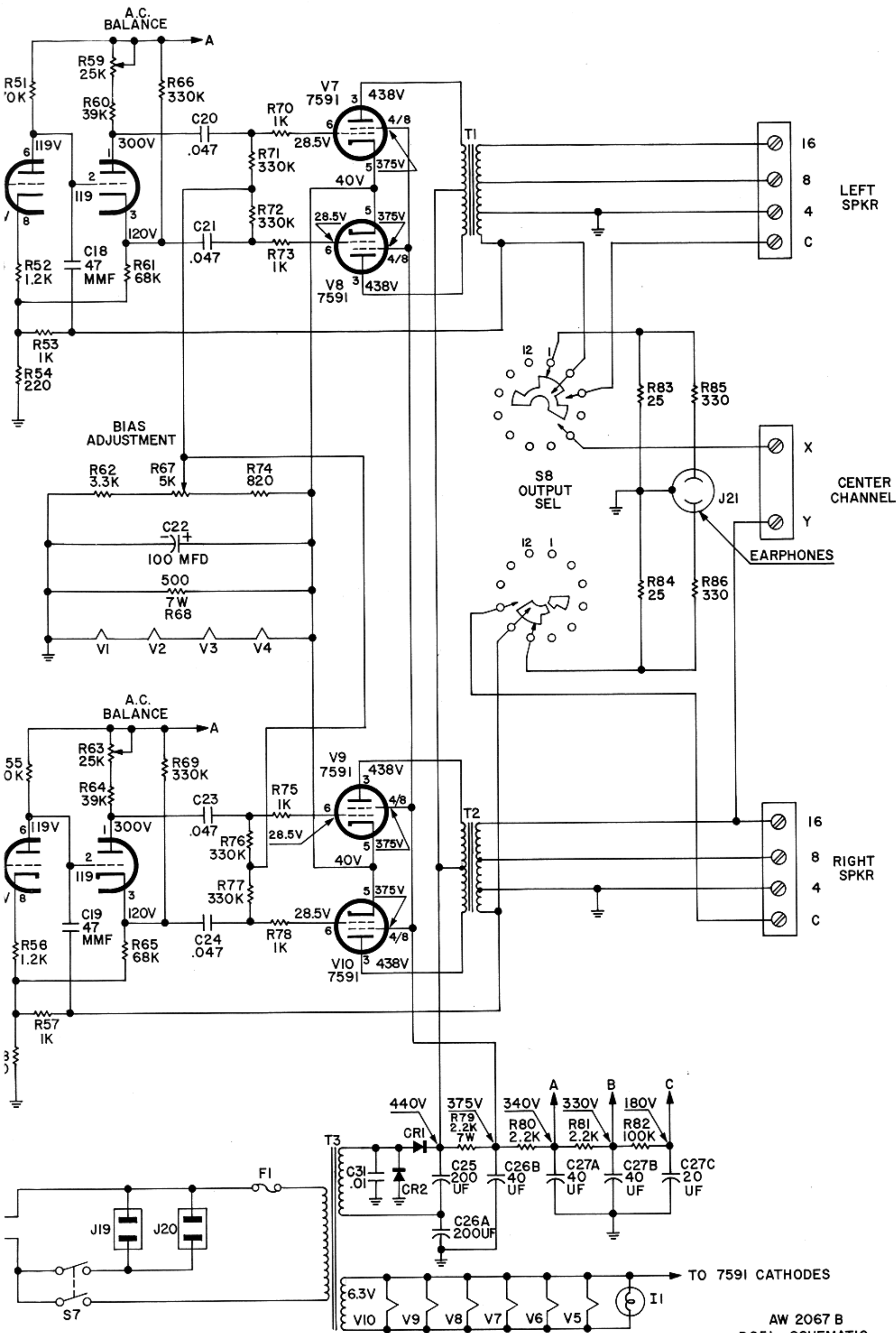
LAST
 R86 C31

| POS | S1 | S2 | S8 |
|-----|------------|----------|-----------------|
| 1 | INPUT SEL* | MODE SEL | OUTPUT SEL |
| 1 | TAPE HEAD | MONO | PHONES ONLY |
| 2 | PHONO | STEREO | ALL SPEAKERS |
| 3 | TUNER | REVERSE | L & R ONLY |
| 4 | AUX | | CENTER & PHONES |
| 5 | TAPE PLAY | | |

*- ALL SWITCHES SHOWN OFF

105-120 VOLTS
 50-60 CYCLES AC





LEFT
SPKR

CENTER
CHANNEL

RIGHT
SPKR

AW 2067 B
P951 - SCHEMATIC

TUBE LAYOUT

